



GENUINE PARTS

INSTALLATION INSTRUCTIONS

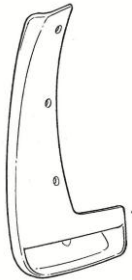
DESCRIPTION: Splash Guard-Rear

APPLICATION: Murano

PART NUMBER: 999J2 C3004

KIT CONTENTS:

Item	Qty.	Part Description	Service Part Number
A	1	Splash Guard - Rear Right	999J2 C3004
B	1	Splash Guard - Rear Left	999J2 C3004
C	8	Philips Head Screw - 20mm	14-51 00891
D	1	Installation Instruction Replacement Template	N/A



A



B



C



D

TOOLS REQUIRED:

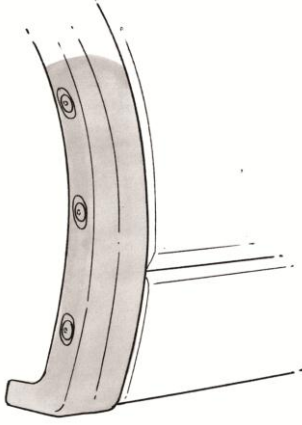
- clean rag
- soap & water
- #2 phillips screw driver
- #15 Torx screw driver

PRE-INSTALLATION WARNINGS, CAUTIONS, CRITICAL STEPS, and NOTES:

- These installation instructions are for the left side of the vehicle; the same procedure applies to the right side.
- Dealer Installation Recommended.
- Parts to be installed at room temperature.

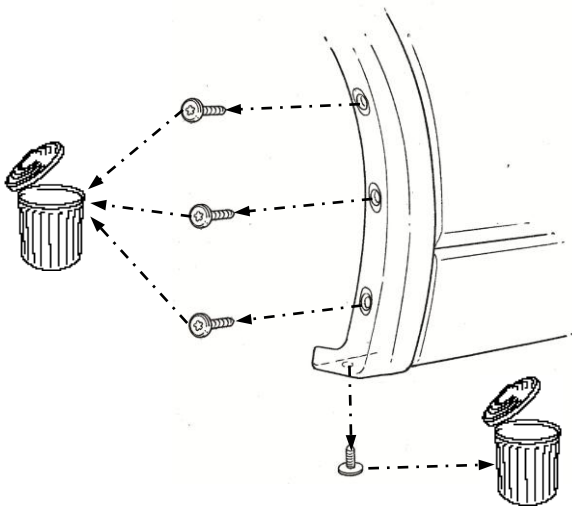
INSTALLATION PROCEDURE:

Fig. 1



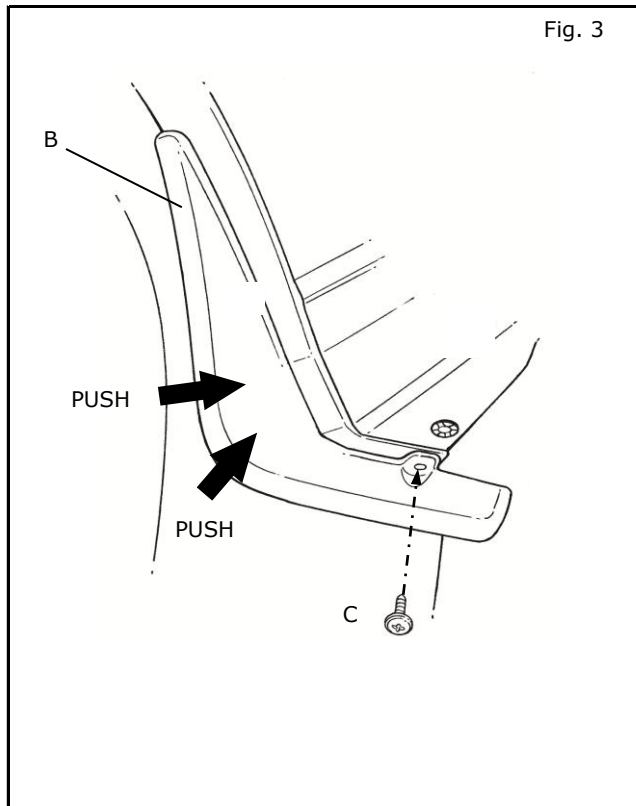
1) Clean shaded area with soap and water mixture and dry.

Fig. 2



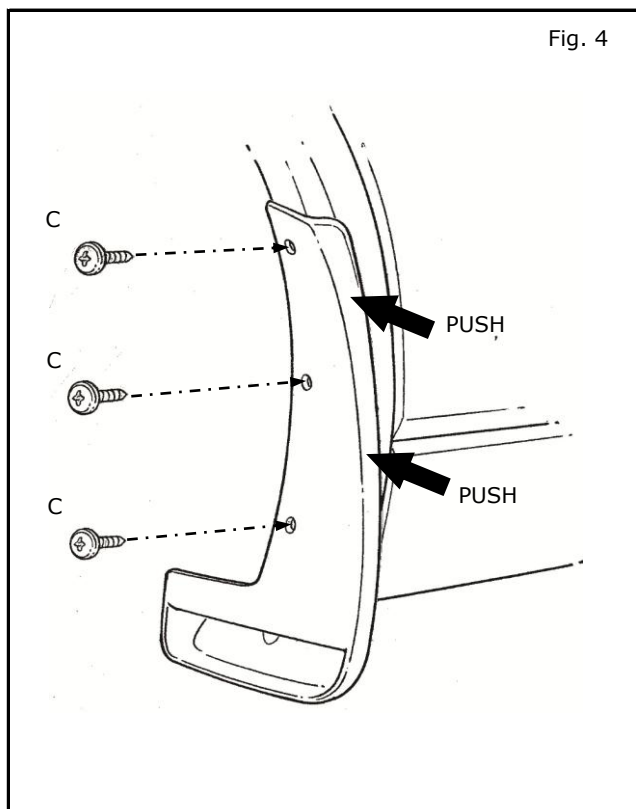
2) Remove existing screws (15mm) and discard.

INSTALLATION PROCEDURE: (continue)



- 3) Align rear splash guard to vehicle.
- 4) Hold splash guard up and push into vehicle and install supplied screw - 20mm (C) in lower mount tab hole and tighten.

NOTE:
Do not over tighten screw. Reference Tighten Torque: 3.8~4.4N-m {34~39 in-lb}



- 5) Push splash guard up and into vehicle and install and tighten supplied screws - 20mm (C) in bottom, middle then top hole.

NOTE:
Do not over tighten screw. Reference Tighten Torque: 3.8~4.4N-m {34~39 in-lb}